

■ Replacement Parts List

Notes: *Important safety notice:

Components identified by Δ mark have special characteristics important for safety.

Furthermore, special parts which have purposes of fire-retardant (resistors), high-quality sound (capacitors), low-noise (resistors), etc. are used.

When replacing any of components, be sure to use only manufacturer's specified parts shown in the parts list.

*The parenthesized indications in the Remarks columns specify the areas. (Refer to the cover page for area.)

Parts without these indications can be used for all areas.

*Remote Control Assy: Supply period for three years from termination of production.

*The "(SF)" mark denotes the standard part.

*<VRD>: indicates parts that are supplied by Video Recorder Division.

Ref. No.	Part No.	Part Name & Description	Remarks	Ref. No.	Part No.	Part Name & Description	Remarks
		INTEGRATED CIRCUIT(S)				DIODE(S)	
IC401	AN7062N	IC, VOLTAGE AMP.		D401, 402	MA167	DIODE	
IC501	SVI3205B	IC, POWER AMP.	Δ	D403, 404	MA4036MTA	DIODE	
IC502	RSN6000A	IC, V-AMP.		D405, 406	MA165	DIODE	
IC721	AN78L05TA	IC, REGULATOR	Δ	D451	MA165	DIODE	
IC761	AN78L05TA	IC, REGULATOR	Δ	D452	MA4056MTA	DIODE	
IC801, 802	UPD4027BC	IC, J-K FLIP-FLOP		D453	MA29WA	DIODE	
IC803	ON3131R	IC, OPTO-ISOLATOR		D501, 502	MA165	DIODE	
IC901	BA6138	IC, METER DRIVE AMP.		D503, 504	MA4160M	DIODE	Δ
IC902	M5218AP	IC, BUFFER AMP.		D505	MA165	DIODE	
		TRANSISTOR(S)		D506	1SS291TA	DIODE	
				D601	MA165	DIODE	
Q401, 402	2SA1123RSTTA	TRANSISTOR		D602	MA4068L	DIODE	
Q451, 452	2SC2631RSTTA	TRANSISTOR		D603, 604	MA165	DIODE	
Q453, 454	2SC3311AIRTA	TRANSISTOR		D605	SLR-305VC	LED	
Q455, 456	2SA1309AIRTA	TRANSISTOR		D701-704	P300DLF	DIODE	Δ
Q501-503	2SA992EFPTA	TRANSISTOR		D706	MA165	DIODE	
Q543	2SA1309AIRTA	TRANSISTOR		D711-714	1SR35200TB	DIODE	Δ
Q601	2SC3311AIRTA	TRANSISTOR		D721	MA165	DIODE	
Q602	2SC3311AIRTA	TRANSISTOR		D762	MA165	DIODE	
Q603	2SC3940AQSTA	TRANSISTOR		D771, 772	MA4220MTA	DIODE	Δ
Q604-606	2SC3311AIRTA	TRANSISTOR		D773	MA4160M	DIODE	Δ
Q611, 612	2SC3311AIRTA	TRANSISTOR		D775, 776	MA165	DIODE	
Q701	2SC3311AIRTA	TRANSISTOR		D781	MA4160M	DIODE	Δ
Q771	2SK330GRYTA	TRANSISTOR	Δ	D782	MA165	DIODE	
Q772	2SJ105GRYTA	TRANSISTOR	Δ	D791-794	1SR35200TB	DIODE	Δ
Q773	2SC2631RSTTA	TRANSISTOR	Δ	D795, 796	MA4140M	DIODE	Δ
Q774	2SA1123RSTTA	TRANSISTOR	Δ	D797, 798	MA165	DIODE	
Q781	2SD2374PQAU	TRANSISTOR	Δ	D801	SLR-305VC	LED	
Q791	2SK330GRYTA	TRANSISTOR	Δ	D803, 804	MA165	DIODE	
Q792	2SJ105GRYTA	TRANSISTOR	Δ	D806	MA165	DIODE	
Q793	2SC3940AQSTA	TRANSISTOR	Δ	D807, 808	SLR-305VC	LED	
Q794	2SA1534RTA	TRANSISTOR	Δ	D809-811	MA165	DIODE	
Q801, 802	UN4215	TRANSISTOR		D821	MA167	DIODE	Δ
Q803-807	UN4111	TRANSISTOR		D822-824	MA165	DIODE	
Q808	2SA1309AIRTA	TRANSISTOR		D901	MA165	DIODE	
Q809	2SC3311AIRTA	TRANSISTOR		D902	MA4100MTA	DIODE	Δ
Q822, 823	UN4215	TRANSISTOR		D903-906	MA165	DIODE	
Q824	2SC3311AIRTA	TRANSISTOR		D907	MA4100MTA	DIODE	Δ
Q825	UN4111	TRANSISTOR		D911, 912	MA165	DIODE	
Q906	2SC3311AIRTA	TRANSISTOR		D914	MA165	DIODE	
Q907	2SA1309AIRTA	TRANSISTOR		D917	MA165	DIODE	
						VARIABLE RESISTOR(S)	

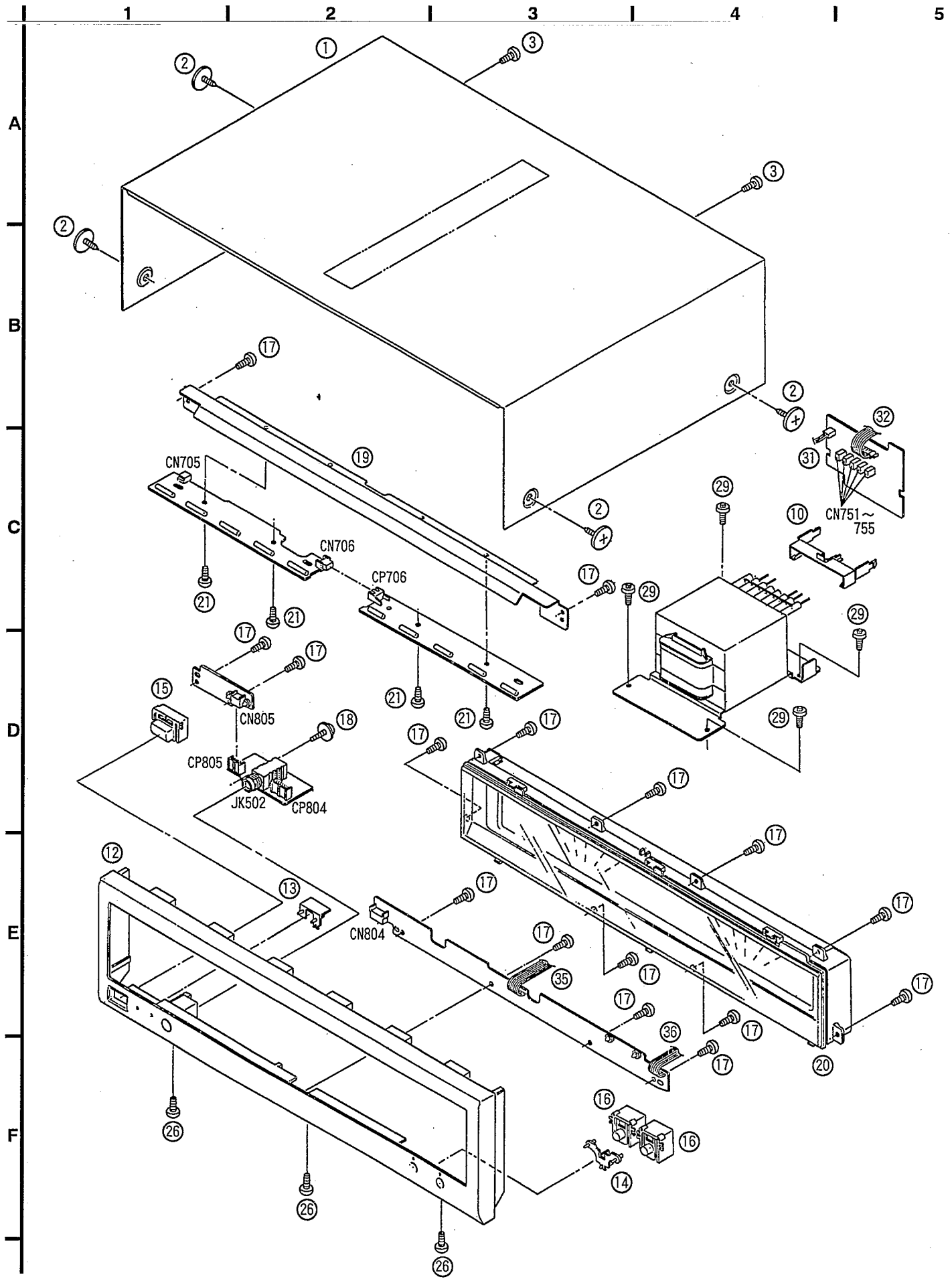
Ref. No.	Part No.	Part Name & Description	Remarks	Ref. No.	Part No.	Part Name & Description	Remarks
VR909	EVNDXAA00B23	V. R. POWER METER ADJ.		CN802	RJS1A6606	CONNECTOR (6P)	
VR910	EVNDXAA00B23	V. R. POWER METER ADJ.		CN803	RJP3G18ZA	CONNECTOR (3P)	
		THERMISTOR(S)		CN804	RJU057W007	SOCKET (7P)	
				CN805	RJU057W004	SOCKET (4P)	
TH901, 902	ERTD2ZHL104T	THERMISTOR		CP706	SJT30345JQ	CONNECTOR (3P)	
				CP804	RJT057W007-1	CONNECTOR (7P)	
		COIL (S)		CP805	RJT057W004-1	CONNECTOR (4P)	
						EARTH TERMINAL	
L1	SLQZ650MH49	COIL	△ (E, EB, EG, GN)	E401	SNE1004-2	GND PLATE	
L401, 402	ELEXT100KA9	COIL		E701	SNE1004-2	GND PLATE	
L403	BLO2RN1R62T2	COIL				FUSE HOLDER	
L501-504	SLQY18G-10	COIL					
L791-797	ELEXT1ROKA9	COIL		FC1, 2	EYF52BC	FUSE HOLDER	
		TRANSFORMER (S)		FC3, 4	EYF52BC	FUSE HOLDER	(GC)
T1	RTP1P5B005-W	POWER TRANSFORMER (SUB)	△ (E, EB, EG, GN)			RELAY	
T1	RTP1P5ED19-W	POWER TRANSFORMER (SUB)	△ (GC)				
T701	RTP1J5B001-W	POWER TRANSFORMER (MAIN)	△	RL501, 502	RSY0013M-0	RELAY	△
		LAMP (S)		RL503	RSY0020M-R	RELAY	
				RL701	RSY0019M-0	RELAY	△
PL901-910	XAMR131	LAMP				JACK(S)	
		FUSE (S)					
F1	XBA2C31TB0	FUSE, 250V, 3. 15A	△ (E, EB, EG, GN)	JK1	SJS9236	AC INLET	△ (E, EB, EG, GC)
F1	XBA2C63TB0	FUSE, 250V, 6. 3A	△ (GC)	JK1	SJSD16	AC INLET	△ (GN)
F2	XBA2C31TB0	FUSE, 250V, 3. 15A	△ (GC)	JK401	SJF3068-7N	JACK INPUT	
		SWITCH (ES)		JK501	RJH4801M-1	SPEAKER TERMINAL	(E, EG, GC, GN)
				JK501	RJH4801M-2	SPEAKER TERMINAL	(EB)
				JK502	RJ63TA01	HEADPHONE JACK	
S2	ESD26840A	SW, VOLTAGE ADJ.	△ (GC)	JK601	RJS1A7402-1	CONNECTOR, FAN MOTOR	
S801	EVQ21405R	SW, POWER		JK791	RJS1D0706	SOCKET (7P)	
S802	EVQ21405R	SW, SPEAKER A					
S803	EVQ21405R	SW, SPEAKER B					
		CONNECTOR (S)					
CN701	RJS1A6606	CONNECTOR (6P)					
CN702, 703	RJS1A6605	CONNECTOR (5P)					
CN705	RJP2G17ZA	CONNECTOR (2P)					
CN706	SJS50382JQH	SOCKET (3P)					
CN751-755	RJS1A1101T1	CONNECTOR					
CN761	SJS305-1	CONNECTOR	(E, EB, EG, GN)				
CN761	SJS702-2	CONNECTOR	(GC)				
CN771-776	RJS1A1101T1	CONNECTOR					
CN777	RJS1A1101T1	CONNECTOR	(GC)				
CN778	RJS1A1101T1	CONNECTOR					
CN801A	RJS1A6603	CONNECTOR (3P)					
CN801B	RJS1A6604	CONNECTOR (4P)					

Notes : * Capacity values are in microfarads (μF) unless specified otherwise, P=Pico-farads (pF) F=Farads (F)
 * Resistance values are in ohms, unless specified otherwise, 1K=1,000(OHM) , 1M=1,000k(OHM)

Ref. No.	Part No.	Values & Remarks	Ref. No.	Part No.	Values & Remarks	Ref. No.	Part No.	Values & Remarks
		RESISTORS	R609	ERDS2TJ332	1/4W 3.3K	R907, 908	ERDS2TJ682T	1/4W 6.8K
			R610	ERDS2TJ335T	1/4W 3.3M	R909, 910	ERDS2TJ103	1/4W 10K
			R611	ERDS2TJ473	1/4W 47K	R911, 912	ERDS2TJ821	1/4W 820
R401, 402	ERDAS3G122	1/4W 1.2K	R612	ERDS2TJ153	1/4W 15K	R915	ERDS2TJ103	1/4W 10K
R403, 404	ERDAS3G823T	1/4W 82K	R613	ERDS2TJ473	1/4W 47K	R916	ERDS2TJ104	1/4W 100K
R405, 406	ERDAS3G272T	1/4W 2.7K	R614	ERDS2TJ683	1/4W 68K	R921, 922	ERDS2TJ123	1/4W 12K
R407, 408	ERDAS3G823T	1/4W 82K	R615	ERDS2TJ103	1/4W 10K	R923, 924	ERDS2TJ154	1/4W 150K
R411, 412	ERDAF2VJ470T	1/4W 47	R616 Δ	ERDS1FVJ220T	1/2W 22	R925, 926	ERDS2TJ223	1/4W 22K
R437	ERDS2TJ473	1/4W 47K	R617	ERDS2TJ222	1/4W 2.2K	R927, 928	ERDS2TJ102	1/4W 1K
R457	ERDAS3G183T	1/4W 18K	R618	ERDS2TJ103	1/4W 10K	R929, 930	ERDS2EJ121	1/4W 120
R459, 460	ERDAF2VJ101T	1/4W 100	R621	ERDS2TJ223	1/4W 22K	R931-936	ERG1SJ681E	1W 680
R461-464	ERDS2TJ333	1/4W 33K	R622	ERDS2TJ100	1/4W 10	R947, 948	ERDS2TJ103	1/4W 10K
R465-468	ERDAF2VJ101T	1/4W 100	R623	ERDS2TJ823T	1/4W 82K	R949, 950	ERDS2TJ223	1/4W 22K
R469	ERDAS3G103T	1/4W 10K	R701 Δ	ERD25FVJ100T	1/4W 10			CAPACITORS
R470	ERDAS3G102T	1/4W 1K	R702	ERDS2TJ222	1/4W 2.2K			
R471, 472	ERDS2TJ561	1/4W 560	R707, 708	ERDAF2VJ6R8T	1/4W 6.8	C401, 402	ECA1HPXS4R7B	50V 4.7U
R491, 492	ERDAS3G823T	1/4W 82K	R721	ERDS2TJ221	1/4W 220	C403, 404	ECKD1H471KB	50V 470P
R501, 502	ERDS2TJ362T	1/4W 3.6K	R763	ERDS2TJ221	1/4W 220	C405, 406	ECA1EPX470TB	25V 47U
R503, 504	ERDAF2VJ121T	1/4W 120	R771	ERDAF2VJ470T	1/4W 47	C407, 408	ECBT1H820KB5	50V 82P
R505, 506	ERDAF2VJ392T	1/4W 3.9K	R772	ERDAF2VJ121T	1/4W 120	C409, 410	ECCR2H220J5	500V 22P
R507, 508	ERDAF2VJ121T	1/4W 120	R773	ERDS2TJ332	1/4W 3.3K	C413, 414	ECCV2H070D	500V 7P
R513-516	ERDAF2VJ100T	1/4W 10	R774	ERDS2TJ103	1/4W 10K	C415, 416	ECBT1H102KB5	50V 1000P
R519, 520	ERX1SJ3R3E	1W 3.3	R775, 776	ERDS2TJ105T	1/4W 1M	C426	ECBT1H102KB5	50V 1000P
R521, 522 Δ	ERDS1FVJ100T	1/2W 10	R781 Δ	ERDS1FVJ472T	1/2W 4.7K	C427	ECBT1E223ZF	25V 0.022U
R527	ERDS2TJ223	1/4W 22K	R782, 783 Δ	ERDS1FVJ560T	1/2W 56	C428	ECQV1H473JM3	50V 0.047U
R528	ERDS2TJ684	1/4W 680K	R791, 792	ERDAF2VJ1R0T	1/4W 1	C451, 452	ECKR1H333ZF5	50V 0.033U
R529	ERDS2TJ124T	1/4W 120K	R793, 794	ERDS2TJ103	1/4W 10K	C453-456	ECCV2H680K	500V 68P
R530 Δ	ERDS1FVJ472T	1/2W 4.7K	R795, 796	ERDS2TJ105T	1/4W 1M	C457-460	RCE1HKA3R3BG	50V 3.3U
R531, 532 Δ	ERDS1FVJ100T	1/2W 10	R801	ERDS2TJ221	1/4W 220	C461, 462	ECBT1H102KB5	50V 1000P
R533, 534	ERDS2TJ103	1/4W 10K	R802	ERDS2TJ562	1/4W 5.6K	C463-465	ECBT1H104ZF5	50V 0.1U
R535	ERDS2TJ562	1/4W 5.6K	R803, 804	ERDS2TJ223	1/4W 22K	C491, 492	ECBT1H101KB5	50V 100P
R536	ERDAF2VJ470T	1/4W 47	R806	ERDS2TJ391	1/4W 390	C501-504	ECA0JPXS101B	6.3V 100U
R537	ERDAF2VJ101T	1/4W 100	R807, 808	ERDS2TJ223	1/4W 22K	C505, 506	ECQV1H473JM3	50V 0.047U
R544	ERDS2TJ103	1/4W 10K	R809	ERDS2TJ823T	1/4W 82K	C507	ECA1EM101B	25V 100U
R545	ERDS2TJ823T	1/4W 82K	R810, 811	ERDS2TJ223	1/4W 22K	C508	ECA1HM470B	50V 47U
R550, 551	ERDS2TJ222	1/4W 2.2K	R812	ERDS2TJ391	1/4W 390	C509	ECEA1HN100SB	50V 10U
R555-558	ERG1SJ681E	1W 680	R813, 814	ERDS2TJ223	1/4W 22K	C511, 512	ECBT1H560J5	50V 56P
R559	ERG1SJ152E	1W 1.5K	R817	ERDS2TJ103	1/4W 10K	C513-518	ECQV1H473JM3	50V 0.047U
R560	ERG1SJ182E	1W 1.8K	R821	ERDS2TJ103	1/4W 10K	C519-522	ECQB1H223ZF3	50V 0.022U
R561, 562	ERG1SJ151E	1W 150	R822	ERDS2TJ222	1/4W 2.2K	C523, 524	ECBT1H102KB5	50V 1000P
R563, 564	ERG1SJ181E	1W 180	R823	ERDS2TJ562	1/4W 5.6K	C525, 526	ECBT1C272KR5	16V 2700P
R565-570	ERDS2TJ223	1/4W 22K	R824	ERDS2TJ154	1/4W 150K	C527, 528	ECBT1H181KB5	50V 180P
R577, 578	ERDS2TJ682T	1/4W 6.8K	R825	ERDS2TJ223	1/4W 22K	C533	ECBT1C103NS5	16V 0.01U
R579	ERDS2TJ471	1/4W 470	R826	ERDS2TJ102	1/4W 1K	C601	ECEA1HKA2R2B	50V 2.2U
R601-604	ERDS2TJ223	1/4W 22K	R827	ERDS2TJ223	1/4W 22K	C602	ECBT1E223ZF	25V 0.022U
R605	ERDS2TJ473	1/4W 47K	R854	ERDS2TJ391	1/4W 390	C603	RCE0JKA221BV	6.3V 220U
R606	ERDS2TJ104	1/4W 100K	R901, 902 Δ	ERDS1FVJ472T	1/2W 4.7K	C604	RCE1CKA100BG	16V 10U
R607	ERDS2TJ103	1/4W 10K	R903, 904	ERDAF2VJ271T	1/4W 270	C611	RCE0JKA221BV	6.3V 220U
R608	ERDS2TJ223	1/4W 22K	R905, 906	ERDS2TJ155	1/4W 1.5M			

Ref. No.	Part No.	Values & Remarks					
C701, 702△	ECETX1J103WX	63V 10000U					
C707, 708	ECA1JFXH560B	63V 56U					
C709, 710	ECQE2334KFW	250V 0.33U					
C711	ECQE2104KF3	250V 0.1U					
C712	ECBT1C103NS5	16V 0.01U					
C713	ECKR1H103ZF5	50V 0.01U					
C714 △	ECA1EM102B	25V 1000U					
C715, 716	ECBT1C103NS5	16V 0.01U					
C721	ECEA1EKA100B	25V 10U					
C722	RCE1CKA100BG	16V 10U					
C723	ECA0JM222B	6.3V 2200U					
C751 △	ECKWNS102MBM	500V 1000P					
C762	ECEA1EKA100B	25V 10U					
C763	RCE1CKA100BG	16V 10U					
C764	ECA0JM222B	6.3V 2200U					
C773, 774	ECEA1HBZ4R7B	50V 4.7U					
C775	ECA1HPXS470B	50V 47U					
C776	ECA1EPXS470B	25V 47U					
C777	ECA1JFX470TB	63V 47U					
C778	ECA1EPX470TB	25V 47U					
C779, 780	ECA2APXS100B	100V 10U					
C781	ECBT1H102KB5	50V 1000P					
C782, 783	ECEA1EKA100B	25V 10U					
C791, 792△	ECA1VPT102ZE	35V 1000P					
C793, 794	ECEA1HBZ4R7B	50V 4.7U					
C795-798	ECA1EPXS470B	25V 47U					
C799	ECKR2H103ZJ	500V 0.01U					
C801	ECBT1H104ZF5	50V 0.1U					
C802	RCE1CKA100BG	16V 10U					
C804	ECBT1H104ZF5	50V 0.1U					
C805	RCE1CKA100BG	16V 10U					
C807	RCE1CKA100BG	16V 10U					
C808-810	ECBT1H104ZF5	50V 0.1U					
C821 △	ECEA1EKA100B	25V 10U					
C855	ECBT1C103NS5	16V 0.01U					
C901, 902	ECEA1EKN3R3B	25V 3.3U					
C903, 904	ECEA1HKA2R2B	50V 2.2U					
C905	RCE1HKA4R7BG	50V 4.7U					
C910	RCE1HKA4R7BG	50V 4.7U					
C955, 956	ECBT1C152JR5	16V 1500P					

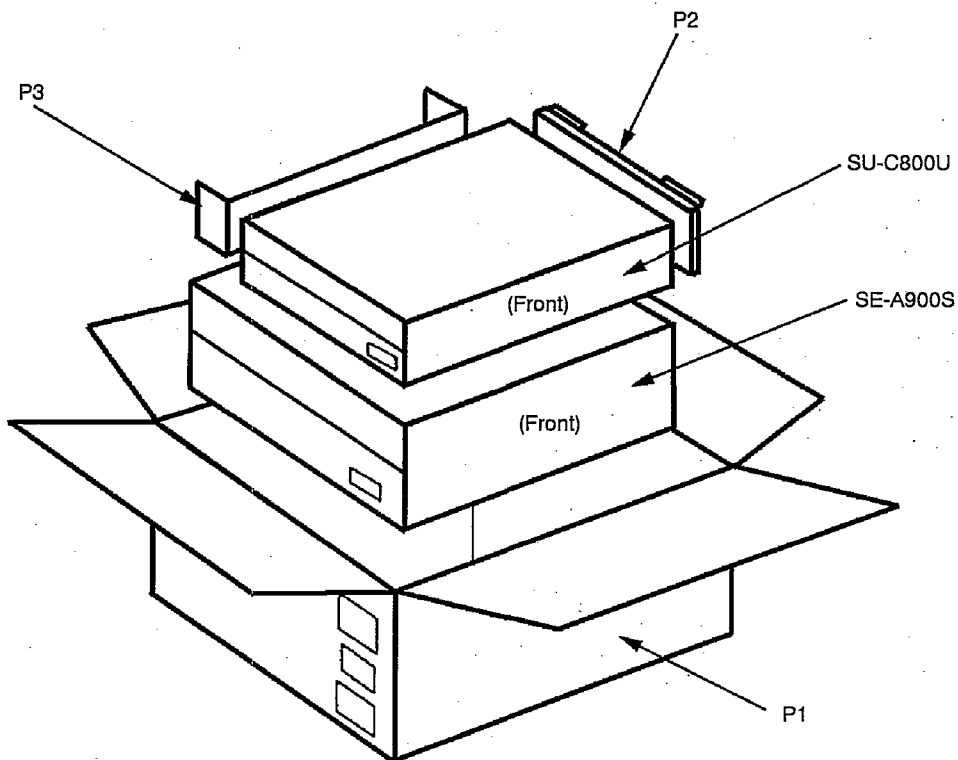
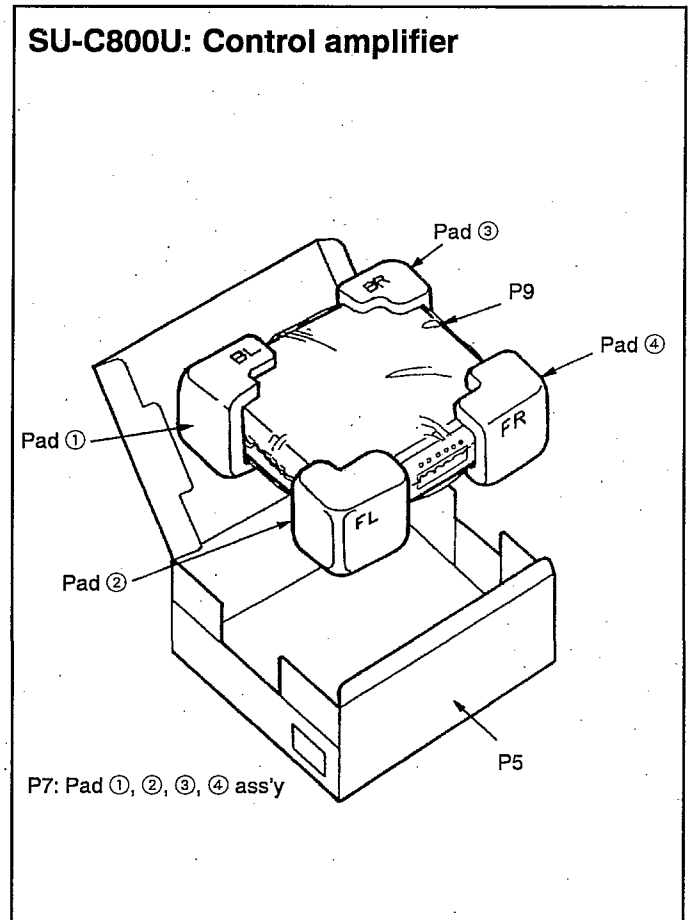
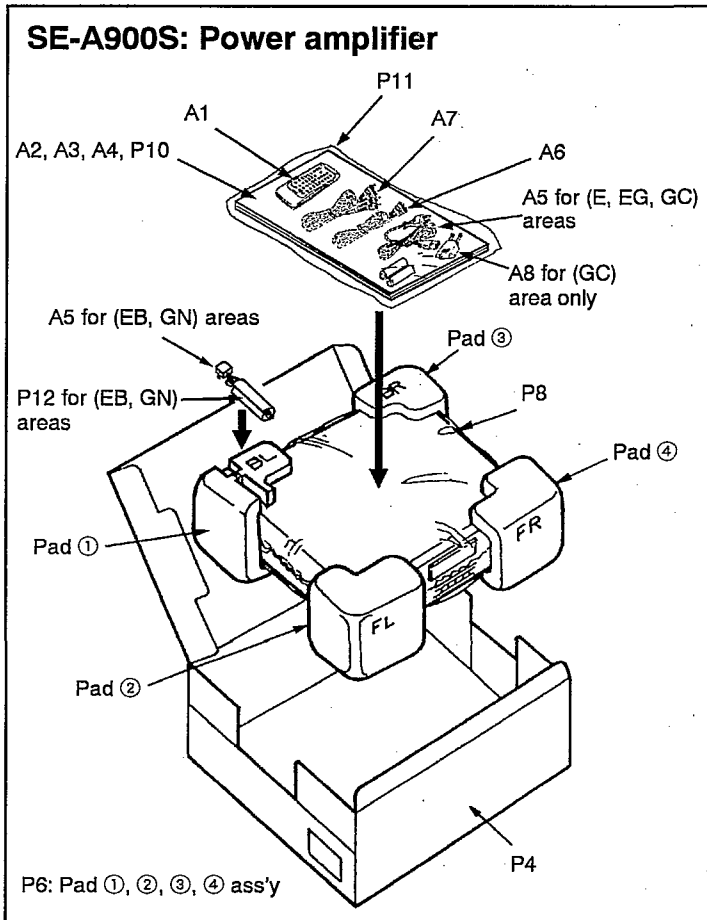
Cabinet Parts Location



Note: The reference number SA represent the grease and tool used for this unit.

Ref. No.	Part No.	Part Name & Description	Remarks	Ref. No.	Part No.	Part Name & Description	Remarks
		CABINET PARTS LIST				PACKING MATERIALS	
1	RKM0219F-K	TOP CABINET		P1	RPG2627	PACKING CASE	(E, EG, GC, GN)
2	SNE2129-1	SCREW		P1	RPG2628	PACKING CASE	(EB)
3	XTBS3+8JFZ1	SCREW		P2	RPQ0573	SPACER	
4	REMO020-1	FAN ASS'Y		P3	RPQ0553	SPACER	
4-1	MDN-4RB4MRC	FAN MOTOR		P4	RPG2624	PACKING CASE	
4-2	RMQ0208-K	FAN MOTOR COVER		P5	RPG2617	PACKING CASE (SU-C800U)	
4-3	RMQ0209-K	FAN CASE		P6	RPN0752	PAD	
4-4	RMQ0212-K	FAN TERMINAL		P7	RPN0917	PAD (SU-C800U)	
4-5	SHE232-1	FAN		P8	SPP730	PROTECTION COVER	
4-6	SUS271	SPRING		P9	SPP756	PROTECTION COVER (SU-C800U)	
5	RGR0227A-C	REAR PANEL	(E, EG)	P10	RPQ0164	PAD	
5	RGR0227B-B1	REAR PANEL	(EB)	P11	RPF0139	PROTECTION COVER	
5	RGR0227C-A1	REAR PANEL	(GC)	P12	RPH0032	MIRROR SHEET	(EB, GN)
5	RGR0227A-E1	REAR PANEL	(GN)			ACCESSORIES	
6	RKA0053-A	FOOT		A1	RAK-SUI80WH	REMOTE CONTROL TRANSMITTER	
7	RKQ0089	P. C. B. SUPPORT		A1-1	RKK0057-K	BATTERY COVER	
8	RMCO158	TRANSISTOR HOLDER		A2	RQA0013	WARRANTY CARD	(E, EB, EG)
9	RMK0200-3	CHASSIS		A2	RQX7433ZA	WARRANTY CARD	(GN)
10	RMNO217	HOLDER		A3	RQCB0169	SERVICE CENTER LIST	
11	RMZO354	COVER		A4	RFKSEA800SEK	INSTRUCTION MANUAL	(E)
12	RFKGEA900SEK	FRONT PANEL ASS'Y		A4	RQT3101-B	INSTRUCTION MANUAL	(EB)
13	RGL0301-Q	PANEL LIGHT A		A4	RQT3100-E	INSTRUCTION MANUAL	(EG)
14	RGL0302-Q	PANEL LIGHT B		A4	RQT3101-B	INSTRUCTION MANUAL	(GN)
15	RGU1270-K	BUTTON, POWER		A4	RQT3099-G	INSTRUCTION MANUAL	(GC)
16	RGU1271-K	BUTTON, SPEAKER		A5	RJA0019-2K	AC POWER SUPPLY CORD	△ (SF) (E, EG, GC)
17	RHD26017	SCREW		A5	VJA0733	AC POWER SUPPLY CORD	△ (SF) <VRD> (EB)
18	RHD26018	SCREW		A5	RJA0036-K	AC POWER SUPPLY CORD	△ (GN)
19	RMA0869	ANGLE		A6	RJL6D001B10	AMP. CONNECTION CABLE	
20	RSE0006	METER ASS'Y		A7	SJP2276	STEREO CONNECTION CABLE	
21	XTBS26+8J	SCREW		A8	SJP5213-2	POWER PLUG ADAPTOR	(GC)
23	SHR8006	SPACER				GREASE OR JIG/TOOL	
24	SHR9112	LATCH		SA1	RFKX0002	COMPOUND GREASE	
25	SHR9814	SPACER					
26	XTBS3+8JFZ1	SCREW					
27	XTB3+20JFZ	SCREW					
28	XTB3+6G	SCREW					
29	XTB3+8JFZ	SCREW					
30	XTW3+15T	SCREW					
31	REX0740	WIRE ASS'Y (2P) (W705)					
32	RWJ3906440QQ	FLAT CABLE (6P) (W706)					
33	RWJ1805480XX	FLAT CABLE (5P) (W702)					
34	RWJ3905390QQ	FLAT CABLE (5P) (W703)					
35	RWJ1807220KX	FLAT CABLE (7P) (W801)					
36	RWJ1806090KX	FLAT CABLE (6P) (W802)					
37	REX0741	WIRE ASS'Y (3P) (CN803)					
38	RMG0332-K	RUBBER					

■ Packaging



1066